



ITT



Triplex Sales
1-847-839-8442
www.triplexsales.com

Pure-Flo® Zero Static Downstream Purge (ZDP)

The ZDP process fabrication is a modification of a standard Zero Static valve. An integral valve located on the back of the valve assembly provides access to a purge port downstream of the ZSBB weir. This purge can be utilized for a multitude of process and utility applications including steam, CIP solution or as a gas purge. The down stream integral purge valve typically utilizes a .5" Pure-Flo valve bonnet assembly. The integral purge valve greatly reduces contact surfaces, hold up volume and possible deadlegs as compared to purge valves that are welded to the exterior of a standard zero static valve. The ZDP is an essential element of piping systems required to meet demanding L/D ratios suggested by the ASME BPE standard.

Typical Applications

- Use point applications where cleaning (CIP), steam sterilization, and blow down of the downstream is required.

Specifications

Standard Sizes:

- 0.5" - 2" (DN 15 - 50) Valve size
- 0.5" - 4" (DN 15 - 100) Run size
- 0.5" Pure-Flo purge is standard
- Other sizes available upon request

Materials:

- 316L ASTM - A479
- DN 177440, 1.4435
- AL6XN
- Hastelloy C-22 & C-276
- Other materials available upon request

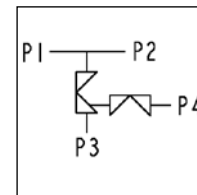
Standard End Connections:

- 14, 16, 18, 20 Gauge OD tubing
- DIN/ISO
- Tri-Clover Tri-Clamp®
- Others available upon request

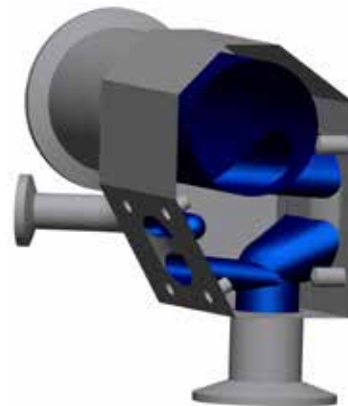
Compatible with standard Pure-Flo topworks: See PFTOP for details on available manual bonnets or actuator.



Patent # 6,397,887



Flow Path



TRIPLEX
Sales Company

How to Order a Zero Static Downstream Purge

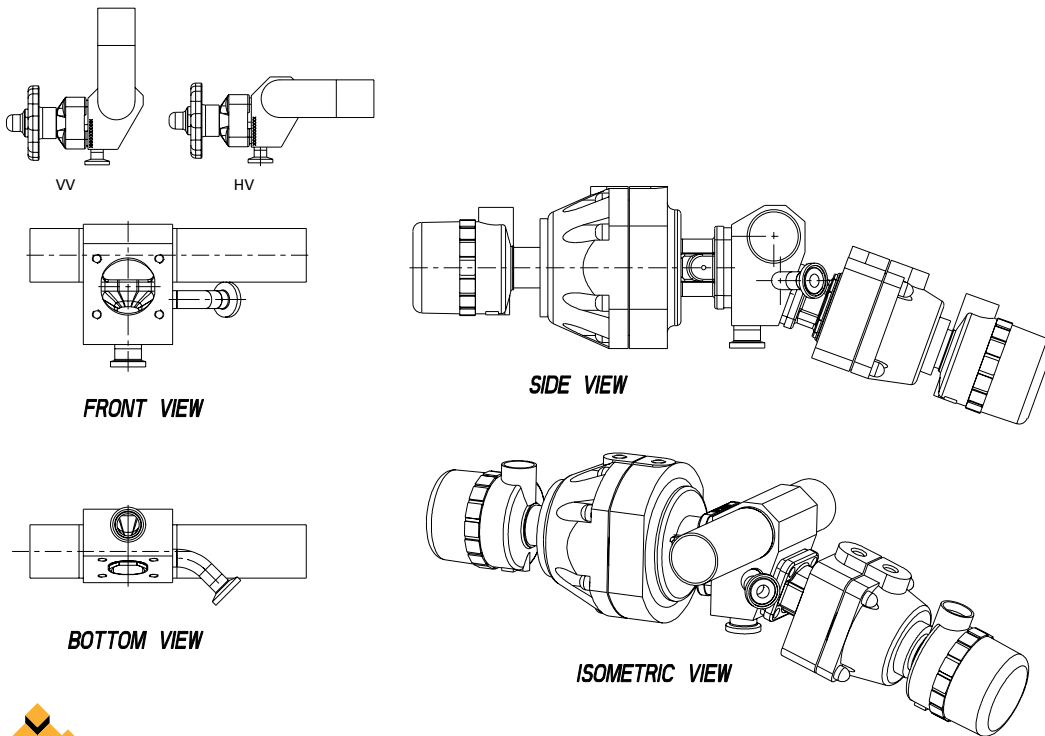
Zero Static Block Body, wrought stainless steel, U-bend vertical tube, 1" main valve with Tri-Clamp end connection, 2" run with butt-weld ends, .5" Pure-Flo purge with Tri-Clamp connection, 25 Ra interior finish, standard exterior finish (Scotch Brite).

Figure Number: ZDP-1-419-2-VV-428-.5-SVPF-419-R-W-6-1-0

Configuration Example		ZDP	1	419	2	VV	428	.5	SVPF	419	R	W	6-1-0	
Valve Body	Block Type	ZDP												
	Valve Size		1											
	Body End Connection			419										
	Zerostatic Tube Size				2									
	U-Bend Orientation ¹					VV								
	Zerostatic Tube End Connection						428							
	Second Valve Size							.5						
	Second Valve Type								SVPF					
	Second Valve End Connection									419				
	Second Valve Outlet Orientation										R			
	Body Material												W	
	Polish Selections													6-1-0

¹ For a U-Bend Vertical Tube, enter VV. For Horizontal Tube, enter HV. See drawings below for vertical tube and horizontal tube examples.

To add topworks, see BBTOP. For additional figure numbers, see PFORD.



Please contact ITT Engineered Valves for the latest drawing and dimensional information. The above drawing should only be used as a general reference.



ITT Engineered Valves
33 Centerville Road
Lancaster, PA 17603, USA
Tel: +1 (717) 509-2200

Cam-Line, Cam-Tite, Dia-Flo,
EnviZion, Pure-Flo, Skotch

ITT Engineered Valves
1110 Bankhead Avenue
Amory, MS 38821, USA
Tel: +1 (662) 256-7185

Fabri-Valve

ITT Bornemann GmbH
31683 Obernkirchen
Germany
Tel: +49 5724 390-0

EnviZion, Pure-Flo

